

USB Power Bank

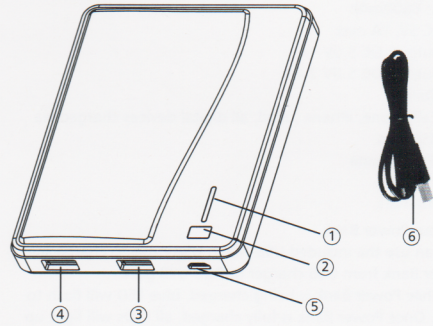
USER MANUAL

scanned by tinkerersblog.net

Welcome

Thank you for purchasing the Power Bank. Please read the user manual carefully before your operation and keep it in proper place for your future reference.

Product Layout



- (1) LED Indicator
- (2) Button
- (3) USB Output Port 1
- (4) USB Output port 2
- (5) Micro USB input Port
- (6) Micro USB cable

Specifications

Product name: USB Power Bank

Cell type: li-polymer battery

Capacity: 6600mAh

Input: DC 5V, 1A max

Port 1 Output: DC 5.0V 1A

Port 2 Output: DC 5.0V 2.1A

Compatibility:

Port 1: Cell Phone, iPhone , iPod, all digital devices charged via
USB port

Port 2: iPad, iPhone

Information

Using your Power Bank

(1) You can use the included USB-Micro USB cable to charge the Power Bank from USB charger or PC's USB port.

Note: While Power Bank is being charged, blue LED will flash to light up. Once Power Bank is fully charged, all LEDs will light up and stop charging.

(2) Connect Power Bank to iPad, cell phone or digital devices using the USB cable, press the button, it will be charging. If there is no load for 30 seconds, the output will be shut off automatically.

Battery Capacity Indicator

LEDs indicate the Power Bank charging status & battery power level.

Press the button to check power level, the LED will light 60 seconds.

LED light from right to left:

1 LED light flash power < 20%

1 LED light shine power: 20%-40% 2 LED light shine power: 40-60%

3 LED light shine power: 60-80% 4 LED light shine power: 80-100%

Maintenance

Keep your power Bank operating to its fullest potential, make sure to do as following:

1. Re-charge your power Bank once every three months when it is not in use.
2. Keep your power Bank dry and away from moist and corrosive materials.
3. Do not wash the power Bank with harsh chemicals, soaps or detergents.

Package Contents Included

- Power Bank
- USB Cable
- User Manual

Warning

Read all instructions and warnings prior to using this product. Failure to read and follow these safety instructions could result in fire, explosion, electrical shock or other hazard, causing serious and/or fatal injury and/or property damage.

1. Do not modify, disassemble, open, drop, crush, puncture or shred the product
2. Do not expose the product to rain or water
3. Keep away from open flame or sunlight to prevent heat build-up
4. Keep away from high voltage devices
5. This product is not a toy, keep away from children. Insure that all persons who use the product read and follow these warnings and instructions

scanned by tinkerersblog.net